



TFA9897_SDS

**Boosted Audio System with Adaptive Sound Maximizer and
Speaker Protection**

Version: 3.1

Release Date: 2020-04-20

Contents

1	General description	1
2	Features and benefits	2
3	Applications	3
4	Quick reference data	4
5	Ordering information	5
6	Block diagram	6
7	Pinning information	7
7.1	Pinning	7
8	Functional description	9
8.1	Protection mechanisms	9
8.1.1	OverTemperature Protection (OTP)	10
8.1.2	Supply voltage protection (UVP and OVP)	10
8.1.3	OverCurrent Protection (OCP)	10
9	Limiting values	11
10	Thermal characteristics	12
11	Characteristics	13
11.1	DC characteristics	13
11.2	AC characteristics	14
12	Application information	17
12.1	Application diagrams	17
13	Package outline	19
14	Soldering of WLCSP packages	20
14.1	Introduction to soldering WLCSP packages	20
14.2	Board mounting	20
14.3	Reflow soldering	20
14.3.1	Stand off	21
14.3.2	Quality of solder joint	21
14.3.3	Rework	21
14.3.4	Cleaning	22
15	Legal and contact information	23

16 Revision history..... 24

1 General description

The TFA9897 is a high efficiency class-D audio amplifier with a sophisticated speaker-boost protection algorithm. It can deliver 1.2 W (RMS; THD = 1 %) output power into an 8 Ω speaker at a battery voltage of 3.6 V. The internal boost converter raises the supply voltage to 5.3 V, providing ample headroom for major improvements in sound quality.

A safe working environment is provided for the speaker under all operating conditions. The TFA9897 maximizes acoustic output while ensuring diaphragm displacement and voice coil temperature do not exceed their rated limits. This function is based on a speaker box model that operates in all loudspeaker environments (e.g. free air, closed box or vented box). Furthermore, advanced signal processing ensures that the audio signal is always of optimum quality.

The adaptive sound maximizer algorithm uses feedback to accurately calculate both the temperature and the excursion, allowing the TFA9897 to adapt to changes in the acoustic environment.

Internal intelligent DC-to-DC conversion boosts the supply rail to provide additional headroom and power output. The supply voltage is only raised when necessary. This feature maximizes the output power of the class-D audio amplifier while limiting quiescent power consumption.

The TFA9897 also incorporates advanced battery protection. By limiting the supply current when the battery voltage is low, it prevents the audio system drawing excessive load currents from the battery (excessive load currents could cause a system undervoltage). The advanced processor minimizes the impact of a falling battery voltage on the audio quality by preventing distortion as the battery discharges.

The device features low RF susceptibility because it has a digital input interface that is insensitive to clock jitter. The second order closed loop architecture used in a class-D audio amplifier provides excellent audio performance and high supply voltage ripple rejection. The audio input interface is TDM and can be I²S configured. Control settings are communicated via an I²C-bus interface.

The TFA9897 is available in a 30-bump WLCSP (Wafer Level Chip-Size Package) with a 400 μ m pitch.

2 Features and benefits

- Sophisticated speaker-boost and protection algorithm that maximizes speaker performance while protecting the speaker:
 - Fully embedded software, no additional license fee or porting required
 - Total integrated solution that includes DSP, amplifier, DC-to-DC, sensing and more.
- Adaptive excursion control guarantees that the speaker membrane excursion never exceeds its rated limit
- Real-time temperature protection - direct measurement ensures that voice coil temperature never exceeds its rated limit
- Environmentally aware - automatically adapts speaker parameters to acoustic and thermal changes including compensation for speaker-box leakage
- Output power: 1.2 W (RMS) into 8 Ω at 3.6 V supply voltage (THD = 1 %)
- Low noise Receiver mode
- Clip avoidance - DSP algorithm prevents clipping even with sagging supply voltage
- Bandwidth extension option to increase low frequency response
- Intelligent DC-to-DC converter maximizes audio headroom from any supply level and limits current consumption at low battery voltages
- Compatible with standard Acoustic Echo Cancellers (AECs)
- High efficiency and low-power dissipation
- Wide supply voltage range (fully operational from 2.5 V to 5.5 V)
- TDM audio interface configurable from 2 slots (I2S) up to 16 slots
- I²C-bus control interface (400 kHz)
- Dedicated speech mode with speech activity detector
- Speaker current and voltage monitoring (via the TDM-bus) for Acoustic Echo Cancellation (AEC) at the host
- Fully short-circuit proof across the load and to the supply lines
- Sample frequencies from 8 kHz up to 48 kHz supported
- Option to route TDM input direct to TDM output to allow a second TDM input slave device to be used in combination with the TFA9897
- Volume control
- Low RF susceptibility
- Input clock jitter insensitive interface
- Thermally protected
- Low 'pop noise' at all mode transitions

3 Applications

- Mobile phones
- Tablets
- Portable gaming devices
- Portable Navigation Devices (PND)
- Notebooks/Netbooks
- MP3 players and portable media players

4 Quick reference data

Table 4-1: Quick reference data

Symbol	Parameter	Conditions	Min	Typ	Max	Unit
V_{BAT}	battery supply voltage	on pin V_{BAT}	2.5	-	5.5	V
V_{DDD}	digital supply voltage	on pin V_{DDD}	1.65	1.8	1.95	V
$V_{DD(IO)}$	input/output supply voltage	on pin $V_{DD(IO)}$	1.65	1.8	1.95	V
I_{BAT}	battery supply current	on pin V_{BAT} and in the DC-to-DC converter coil; Operating modes with load; DC-to-DC converter in Adaptive boost mode (no output signal)	-	1.55	-	mA
		on pin V_{BAT} and in the DC-to-DC converter coil; Power-down mode	-	-	1	μ A
I_{DDD}	digital supply current	on pin V_{DDD} ; Operating modes; speaker-boost protection activated	-	15	-	mA
		on pin V_{DDD} ; Operating modes; CoolFlux DSP bypassed	-	4.8	-	mA
		on pin V_{DDD} ; Power-down mode; BCK = FS = DIO = GAINIO = 0 V	-	10	-	μ A
$I_{DD(IO)}$	input/output supply current	on pin $V_{DD(IO)}$; Operating modes; speaker-boost protection activated; I2S configured TDM	-	100	-	μ A
$P_{o(RMS)}$	RMS output power	CLIP = 0				
		$R_L = 8 \Omega$; $f_s = 48$ kHz	-	1.2	-	W
		$R_L = 8 \Omega$; $f_s = 32$ kHz	-	1.35	-	W
Z_L	load impedance	of speaker	6.3	8	-	Ω

5 Ordering information

Table 5-1: Ordering information

Type number	Package		
	Name	Description	Version
TFA9897UK/N1	WLCSP30	wafer level chip-size package; 30 bumps; 2.06 × 2.72 × 0.50 mm	TFA9897

6 Block diagram

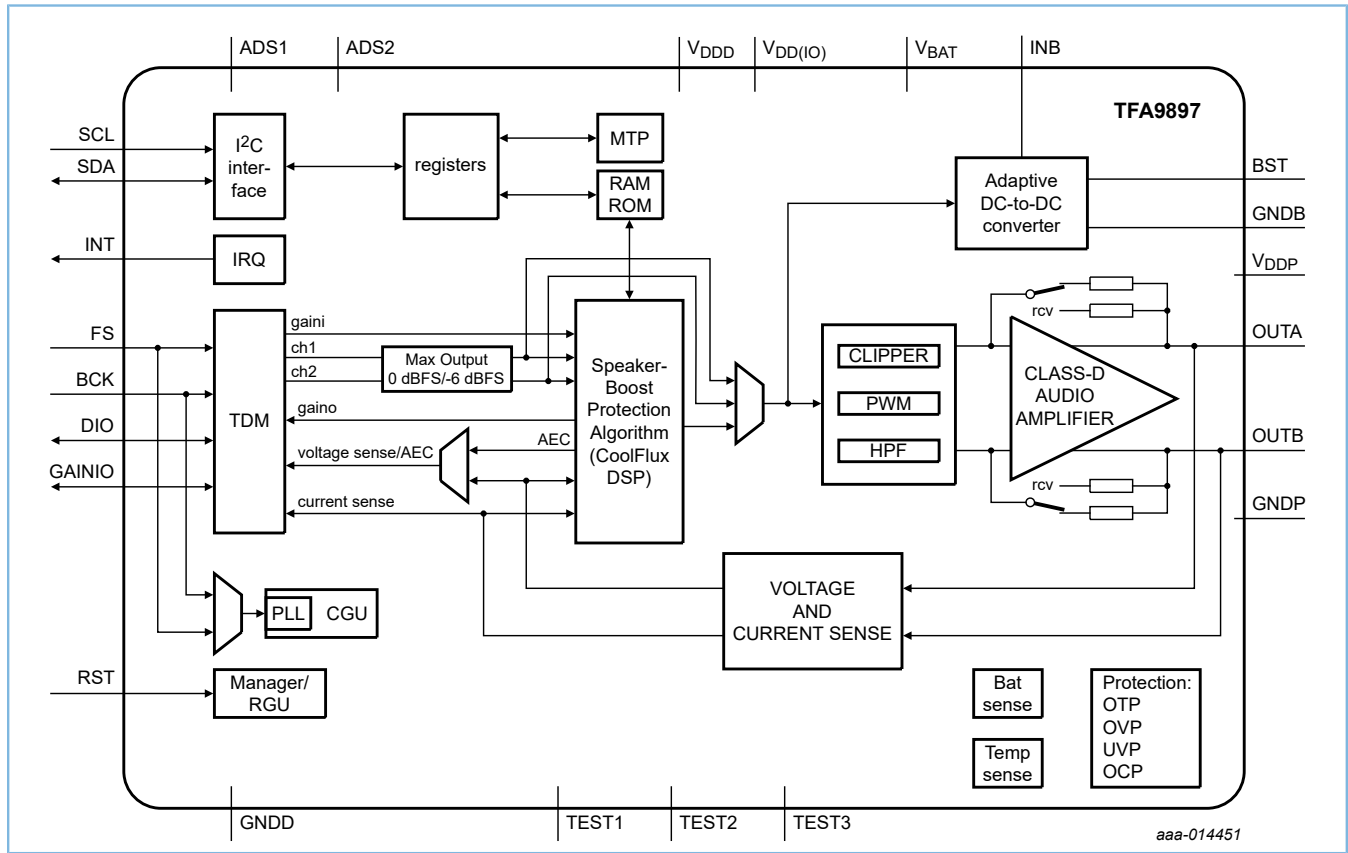


Figure 6-1: Block diagram

7 Pinning information

7.1 Pinning

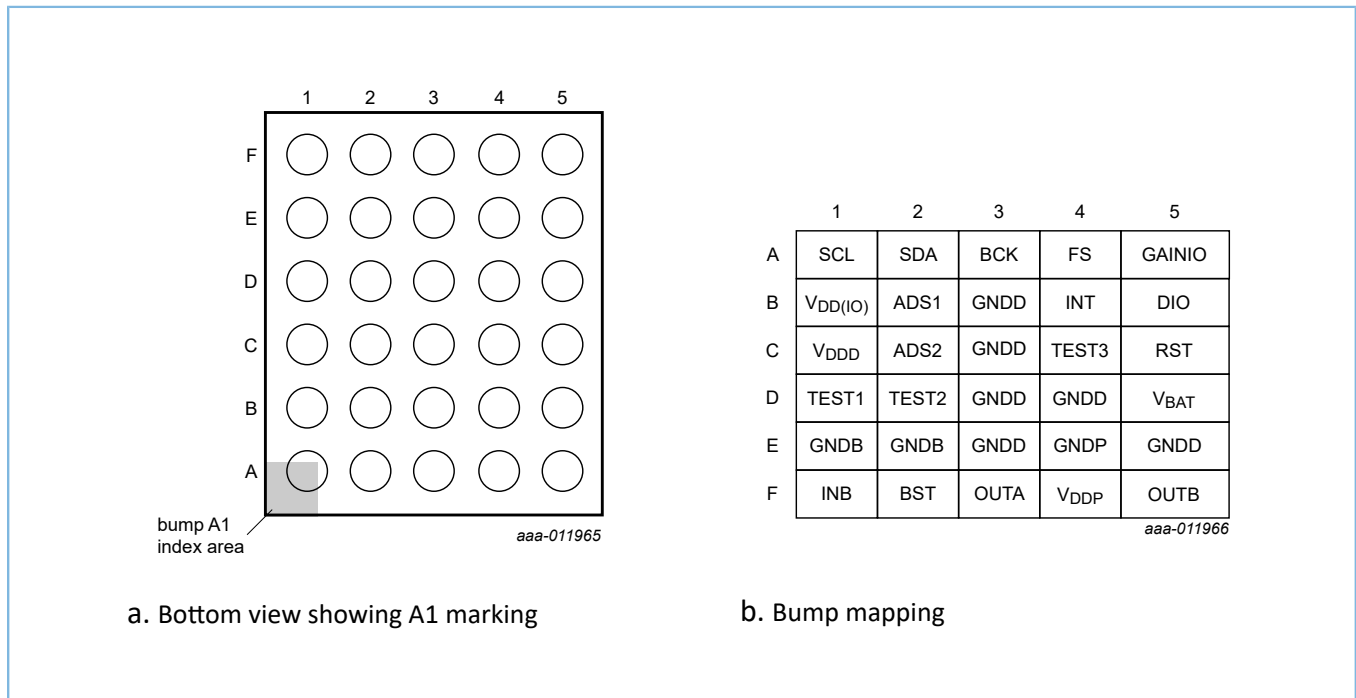


Figure 7-1: Bump configuration

Table 7-1: Pinning

Symbol	Pin	Type	Description
SCL	A1	I	I ² C-bus clock input
SDA	A2	I/O	I ² C-bus data input/output
BCK	A3	I	digital audio bit clock
FS	A4	I	word select or frame sync
GAINIO	A5	I/O	digital audio I/O; also used as gain sync for stereo
V _{DD(I/O)}	B1	P	digital I/O supply
ADS1	B2	I	address select 1
GNDD	B3	P	digital ground
INT	B4	O	interrupt output configurable as push pull or open-drain output
DIO	B5	I/O	digital audio IO also used as I ² S input
V _{DDD}	C1	P	digital core supply voltage
ADS2	C2	I	address select 2

Symbol	Pin	Type	Description
GNDD	C3	P	digital ground
TEST3	C4		test signal input 3; for test purposes only, connect to PCB ground
RST	C5	I	reset input
TEST1	D1		test signal input 1; for test purposes only, connect to PCB ground
TEST2	D2		test signal input 2; for test purposes only, connect to PCB ground
GNDD	D3	P	digital ground
GNDD	D4	P	digital ground
V _{BAT}	D5	I	battery supply sense input
GNDB	E1	P	DC-to-DC booster ground
GNDB	E2	P	DC-to-DC booster ground
GNDD	E3	P	digital ground
GNDP	E4	P	class-D power ground
GNDD	E5	P	digital ground
INB	F1	P	DC-to-DC booster input
VBST	F2	P	DC-to-DC booster output
OUTA	F3	O	non-inverting output
V _{DDP}	F4	P	class-D power supply
OUTB	F5	O	inverting output

8 Functional description

The TFA9897 is a highly efficient mono Bridge Tied Load (BTL) class-D audio amplifier with a sophisticated speaker-boost protection algorithm. Figure 6-1 is a block diagram of the TFA9897.

The device contains two TDM input/output channels. The number of slots and number of bits per slot can be configured for each TDM channel and the channel can be configured as input or output. Typically, one TDM channel is configured as a standard I²S input while the other TDM channel is used for stereo sync, where gain information is transferred between the devices.

It is also possible to output current sense and voltage sense information on the TDM interface, which can be processed by the audio host.

The speaker-boost protection algorithm, running on a CoolFlux Digital Signal Processor (DSP) core, maximizes the acoustical output of the speaker while limiting membrane excursion and voice coil temperature to a safe level. The mechanical protection implemented guarantees that speaker membrane excursion never exceeds its rated limit, to an accuracy of 10 %. Thermal protection guarantees that the voice coil temperature never exceeds its rated limit, to an accuracy of ± 10 °C. Furthermore, advanced signal processing ensures that the audio quality is always acceptable.

The protection algorithm implements an adaptive loudspeaker model that is used to predict the extent of membrane excursion. The model is continuously updated to ensure that the protection scheme remains effective even when speaker parameter values change or the acoustic enclosure is modified.

The speaker-boost protection algorithm boosts the output sound pressure level within given mechanical, thermal and quality limits. An optional Bandwidth extension mode extends the low frequency response up to a predefined limit before maximizing the output level. This mode is suitable for listening to high-quality music in quiet environments.

The frequency response of the TFA9897 can be modified via ten fully programmable cascaded second-order biquad filters. The first two biquads are processed with 48-bit double precision; biquads 3 to 8 are processed with 24-bit single precision.

At low battery voltage levels, the gain is automatically reduced to limit battery current.

The output volume can be controlled by the speaker-boost protection algorithm or by the host application (external). In the latter case, the boost features of the speaker-boost protection algorithm must be disabled to avoid neutralizing external volume control.

The speaker-boost protection algorithm output is converted into two pulse width modulated (PWM) signals which are then injected into the class-D audio amplifier. The 3-level PWM scheme supports filterless speaker drive.

The adaptive DC-to-DC converter boosts the battery supply voltage in line with the output of the speaker-boost protection algorithm. It switches to Follower mode ($V_{BST} = V_{BAT}$; no boost) when the audio output voltage is lower than the battery voltage.

8.1 Protection mechanisms

The following protection circuits are included in the TFA9897:

- OverTemperature Protection (OTP)
- OverVoltage Protection (OVP)
- UnderVoltage Protection (UVP)
- OverCurrent Protection (OCP)

The reaction of the device to fault conditions differs depending on the protection circuit involved.

8.1.1 OverTemperature Protection (OTP)

OTP prevents heat damage to the TFA9897. It is triggered when the junction temperature exceeds $T_{act(th_prot)}$. When this happens, the output stages are set floating. OTP is cleared automatically via an internal timer (approximately 200 ms), after which the output stages start to operate normally again.

8.1.2 Supply voltage protection (UVP and OVP)

UVP is activated and the power stages are set floating if V_{BAT} drops below the undervoltage protection threshold, $V_{P(uvp)}$. When the supply voltage rises above $V_{P(uvp)}$ again, the system will be restarted after approximately 200 ms.

OVP is activated, setting the booster to Follower mode, if the power supply voltage (V_{DDP}) rises above the overvoltage protection threshold, $V_{P(ovp)}$. The power stages are re-enabled as soon as the supply voltage drops below $V_{P(ovp)}$ again. The system will be restarted after approximately 200 ms.

8.1.3 OverCurrent Protection (OCP)

OCP detects a short circuit across the load or between one of the amplifier outputs and one of the supply lines. If the output current exceeds the overcurrent protection threshold ($I_{O(ocp)}$), it is limited to $I_{O(ocp)}$ while the amplifier outputs are switching (the amplifier is not powered down completely). The amplifier can distinguish between an impedance drop at the loudspeaker and a low-ohmic short circuit across the load or to one of the supply lines. The impedance threshold depends on which supply voltage is being used.

9 Limiting values

Table 9-1: Limiting values

In accordance with the Absolute Maximum Rating System (IEC 60134).

Symbol	Parameter	Conditions	Min	Max	Unit
V_x	voltage on pin x	pin INB	-0.3	+6	V
		pins GAINIO, DIO, BCK, FS, INT, SCL, SDA, ADS1, ADS2 and RST	-0.3	+1.95	V
V_{BAT}	battery supply voltage	on pin V_{BAT}	-0.3	+6	V
V_{DDP}	power supply voltage	on pin V_{DDP}	-0.3	+6	V
V_{DDD}	digital supply voltage	on pin V_{DDD}	-0.3	+1.95	V
$V_{DD(IO)}$	input/output supply voltage	on pin $V_{DD(IO)}$	-0.3	+1.95	V
T_j	junction temperature		-	+150	°C
T_{stg}	storage temperature		-55	+150	°C
T_{amb}	ambient temperature		-40	+85	°C
V_{ESD}	electrostatic discharge voltage	according to Human Body Model (HBM)	-2	+2	kV
		according to Charge Device Model (CDM)	-500	+500	V

10 Thermal characteristics

Table 10-1: Thermal characteristics

Symbol	Parameter	Conditions	Typ	Unit
$R_{th(j-a)}$	thermal resistance from junction to ambient	in free air; natural convection	-	
		4-layer application board	60	K/W

11 Characteristics

11.1 DC characteristics

Table 11-1: DC characteristics

All parameters are guaranteed for $V_{BAT} = 3.6\text{ V}$; $V_{DDD} = 1.8\text{ V}$; $V_{DDP} = V_{BST} = 5.3\text{ V}$; $L_{BST} = 1\ \mu\text{H}^{[1]}$; $R_L = 8\ \Omega^{[1]}$; $L_L = 44\ \mu\text{H}^{[1]}$; $f_i = 1\text{ kHz}$; $f_s = 48\text{ kHz}$; $T_{amb} = 25\text{ }^\circ\text{C}$; default settings, unless otherwise specified.

Symbol	Parameter	Conditions	Min	Typ	Max	Unit
V_{BAT}	battery supply voltage	on pin V_{BAT}	2.5	-	5.5	V
V_{DDP}	power supply voltage	on pin V_{DDP}	2.5	-	5.5	V
V_{DDD}	digital supply voltage	on pin V_{DDD}	1.65	1.8	1.95	V
$V_{DD(IO)}$	input/output supply voltage	on pin $V_{DD(IO)}$	1.65	1.8	1.95	V
I_{BAT}	battery supply current	on pin V_{BAT} and in the DC-to-DC converter coil; Operating modes with load; DC-to-DC converter in Adaptive boost mode (no output signal)	-	1.55	-	mA
		on pin V_{BAT} and in the DC-to-DC converter coil; Power-down mode	-	-	1	μA
I_{DDD}	digital supply current	on pin V_{DDD} ; Operating modes; speaker-boost protection activated	-	15	-	mA
		on pin V_{DDD} ; Operating modes; CoolFlux DSP bypassed	-	4.8	-	mA
		on pin V_{DDD} ; Power-down mode; BCK = FS = DIO = GAINIO = 0 V	-	10	-	μA
$I_{DD(IO)}$	input/output supply current	on pin $V_{DD(IO)}$; Operating modes; speaker-boost protection activated; I2S configured TDM	-	100	-	μA
Pins BCK, FS, DIO, GAINIO, RESET, ADS1, ADS2, SCL, SDA						
V_{IH}	HIGH-level input voltage		$0.7V_{DD(IO)}$	-	1.95	V
V_{IL}	LOW-level input voltage		-	-	$0.3V_{DD(IO)}$	V
C_{in}	input capacitance		^[2] -	-	3	pF
I_{LI}	input leakage current	1.8 V on input pin	-	-	0.1	μA
Pins DIO, GAINIO, INT						

Symbol	Parameter	Conditions	Min	Typ	Max	Unit
V _{OH}	HIGH-level output voltage	I _{OH} = 4 mA	-	-	V _{DD(IO)} - 0.4	V
V _{OL}	LOW-level output voltage	I _{OL} = 4 mA	-	-	400	mV
Pins SDA, open-drain outputs, external 10 kΩ resistor to V_{DD}						
V _{OH}	HIGH-level output voltage		-	-	V _{DD(IO)} - 0.4	V
V _{OL}	LOW-level output voltage	I _{OL} = 4 mA	-	-	400	mV
Pins OUTA, OUTB						
R _{DSon}	drain-source on-state resistance	V _{DDP} = 5.3 V	-	200	-	mΩ
Protection						
T _{act(th_prot)}	thermal protection activation temperature		130	-	150	°C
V _{P(ovp)}	overvoltage protection supply voltage	protection on V _{DDP}	5.5	-	5.7	V
V _{P(uvp)}	undervoltage protection supply voltage	protection on V _{BAT}	2.3	-	2.5	V
I _{O(ocp)}	overcurrent protection output current		0.7	-	-	A
DC-to-DC converter						
V _{BST}	voltage on pin BST	DCVO = 111; Boost mode	5.25	5.3	5.35	V

[1] L_{BST} = boot converter inductance; R_L = load resistance; L_L = load inductance (speaker).

[2] This parameter is not tested during production; value is guaranteed by design and checked during product validation.

11.2 AC characteristics

Table 11-2: AC characteristics

All parameters are guaranteed for V_{BAT} = 3.6 V; V_{DD} = 1.8 V; V_{DDP} = V_{BST} = 5.3 V; L_{BST} = 1 μH^[1]; R_L = 8Ω^[1]; L_L = 20 μH^[1]; f_i = 1 kHz; f_s = 48 kHz; T_{amb} = 25 °C; default settings, unless otherwise specified.

Symbol	Parameter	Conditions	Min	Typ	Max	Unit
Amplifier						
P _{O(RMS)}	RMS output power	THD+N = 1 %; CLIP = 1; RCV = 0				
		R _L = 8 Ω; f _s = 48 kHz	-	1.5	-	W

Symbol	Parameter	Conditions	Min	Typ	Max	Unit
		$R_L = 8 \Omega$; $f_s = 32 \text{ kHz}$	-	1.65	-	W
		THD+N = 1 %; CLIP = 0; RCV = 0				
		$R_L = 8 \Omega$; $f_s = 48 \text{ kHz}$	-	1.2	-	W
		$R_L = 8 \Omega$; $f_s = 32 \text{ kHz}$	-	1.35	-	W
		THD+N = 1 %; CLIP = 0; RCV = 1				
		$R_L = 8 \Omega$; $f_s = 48 \text{ kHz}$	-	0.68	-	W
		$R_L = 8 \Omega$; $f_s = 32 \text{ kHz}$	-	0.76	-	W
		THD+N = 10 %; CLIP = 1; RCV = 0				
		$R_L = 8 \Omega$; $f_s = 48 \text{ kHz}$	-	2	-	W
		$R_L = 8 \Omega$; $f_s = 32 \text{ kHz}$	-	2	-	W
Z_L	load impedance	of speaker	6.3	8	-	Ω
$ V_{O(\text{offset})} $	output offset voltage	absolute value	-	-	1	mV
η_{po}	output power efficiency	including DC-to-DC converter; $P_{O(\text{RMS})} = 1.35 \text{ W}$;	[2] -	80	-	%
THD+N	total harmonic distortion-plus-noise	$P_{O(\text{RMS})} = 100 \text{ mW}$; $R_L = 8 \Omega$; $L_L = 44 \mu\text{H}$	[2] -	0.03	0.1	%
		A-weighted; DATA1 = DATA2 = 0 V				
$V_{n(o)}$	output noise voltage	CoolFlux DSP disabled and bypassed	-	27	-	μV
		CoolFlux DSP enabled	[2] -	30	-	μV
		Receiver mode; $V_{DDP} \leq 4.3 \text{ V}$	-	20	-	
		$V_O = 4.5 \text{ V}$ (peak); A-weighted				
S/N	signal-to-noise ratio	CoolFlux DSP disabled and bypassed	-	100	-	dB
		CoolFlux DSP enabled	[2] -	97	-	dB
PSRR	power supply rejection ratio	$V_{\text{ripple}} = 200 \text{ mV}$ (RMS); $f_{\text{ripple}} = 217 \text{ Hz}$	-	90	-	dB
Current-sensing performance						
S/N	signal-to-noise ratio	$I_O = 1.2 \text{ A}$ (peak); A-weighted	-	75	-	dB
$I_{\text{sense(acc)}}$	sense current accuracy	$I_O = 0.5 \text{ A}$ (peak)	-3	-	+3	%

Symbol	Parameter	Conditions	Min	Typ	Max	Unit
B	bandwidth	[2]	-	8	-	kHz
Timing						
t _{d(on)}	turn-on delay time	PLL locked on BCK (IPLL = 0)				
		f _s = 32 kHz to 48 kHz	-	-	2	ms
		PLL locked on FS (IPLL = 1)				
		f _s = 48 kHz	-	-	6	ms
t _{d(off)}	turn-off delay time		-	-	10	μs
t _{d(mute_off)}	mute off delay time		-	1	-	ms
t _{d(soft_mute)}	soft mute delay time		-	12	-	ms
t _{PD}	propagation delay	CoolFlux DSP bypassed				
		f _s = 8 kHz	-	-	3.5	ms
		f _s = 48 kHz	-	-	600	μs
		speaker-boost protection mode, t _{LookAhead} = 2 ms				
		f _s = 8 kHz	-	-	25	ms
		f _s = 48 kHz	-	-	4	ms

[1] L_{BST} = boost converter inductor; R_L = load resistance; L_L = load inductance (speaker).
 [2] This parameter is not tested during production; value is guaranteed by design and checked during product validation.

12 Application information

12.1 Application diagrams

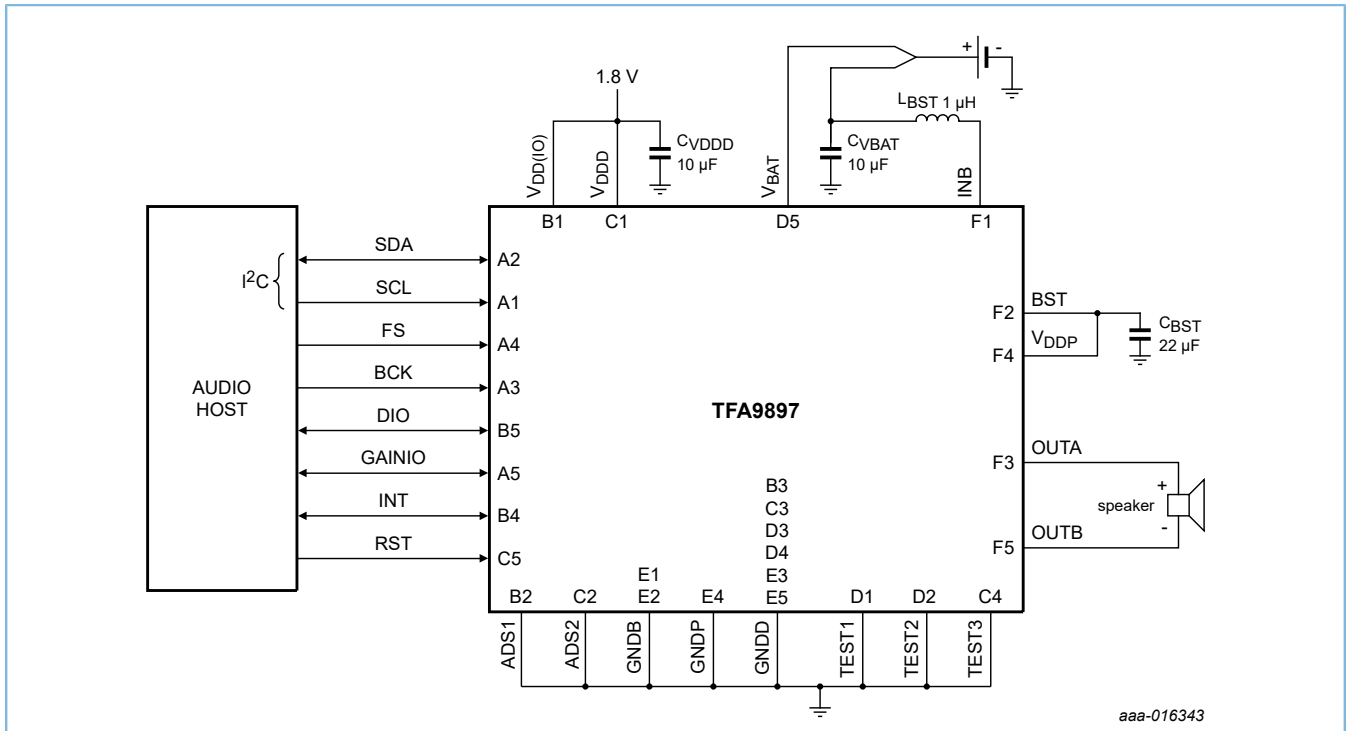
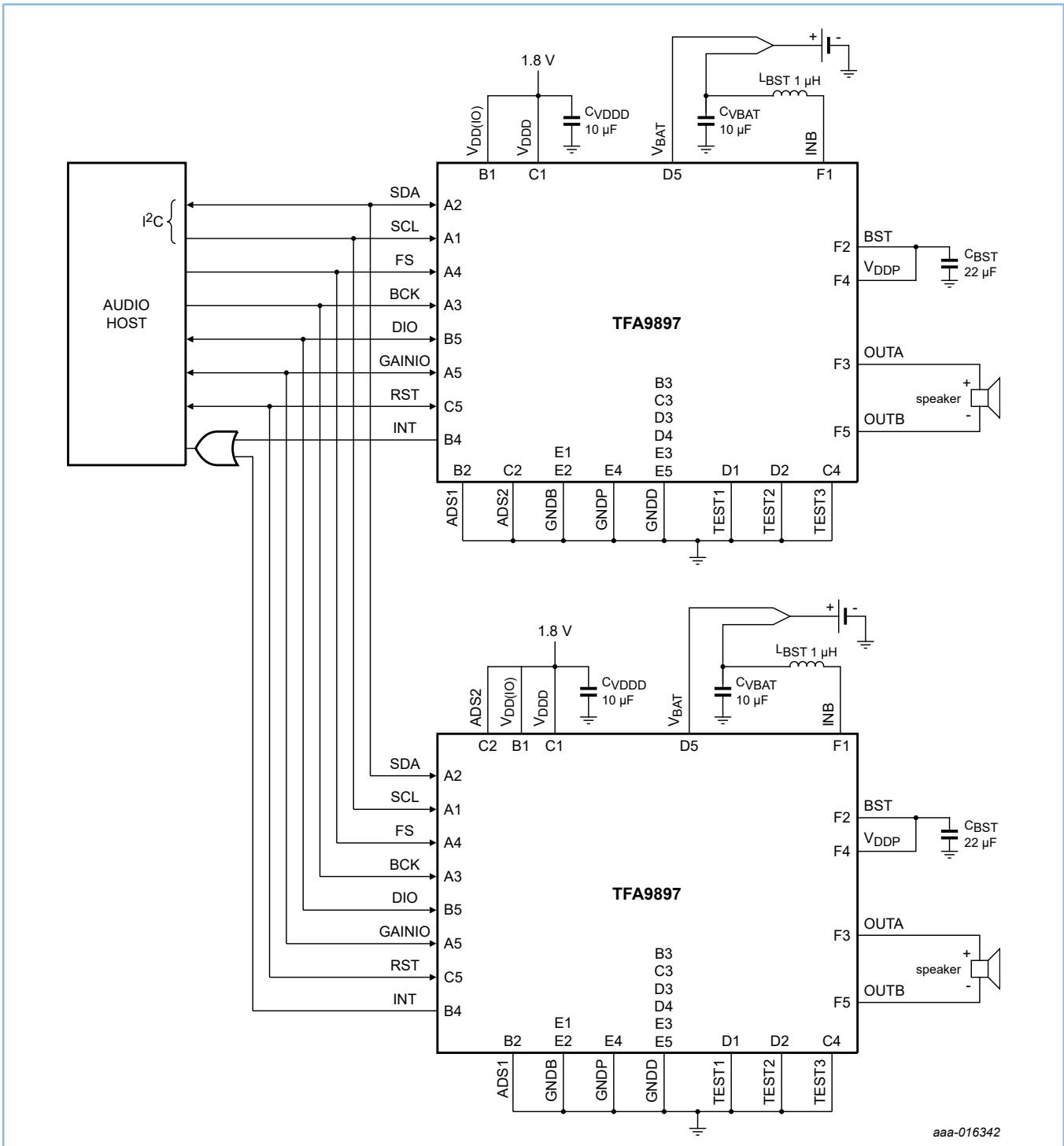


Figure 12-1: Typical mono application (simplified)



aaa-016342

Figure 12-2: Typical stereo application (simplified)

13 Package outline

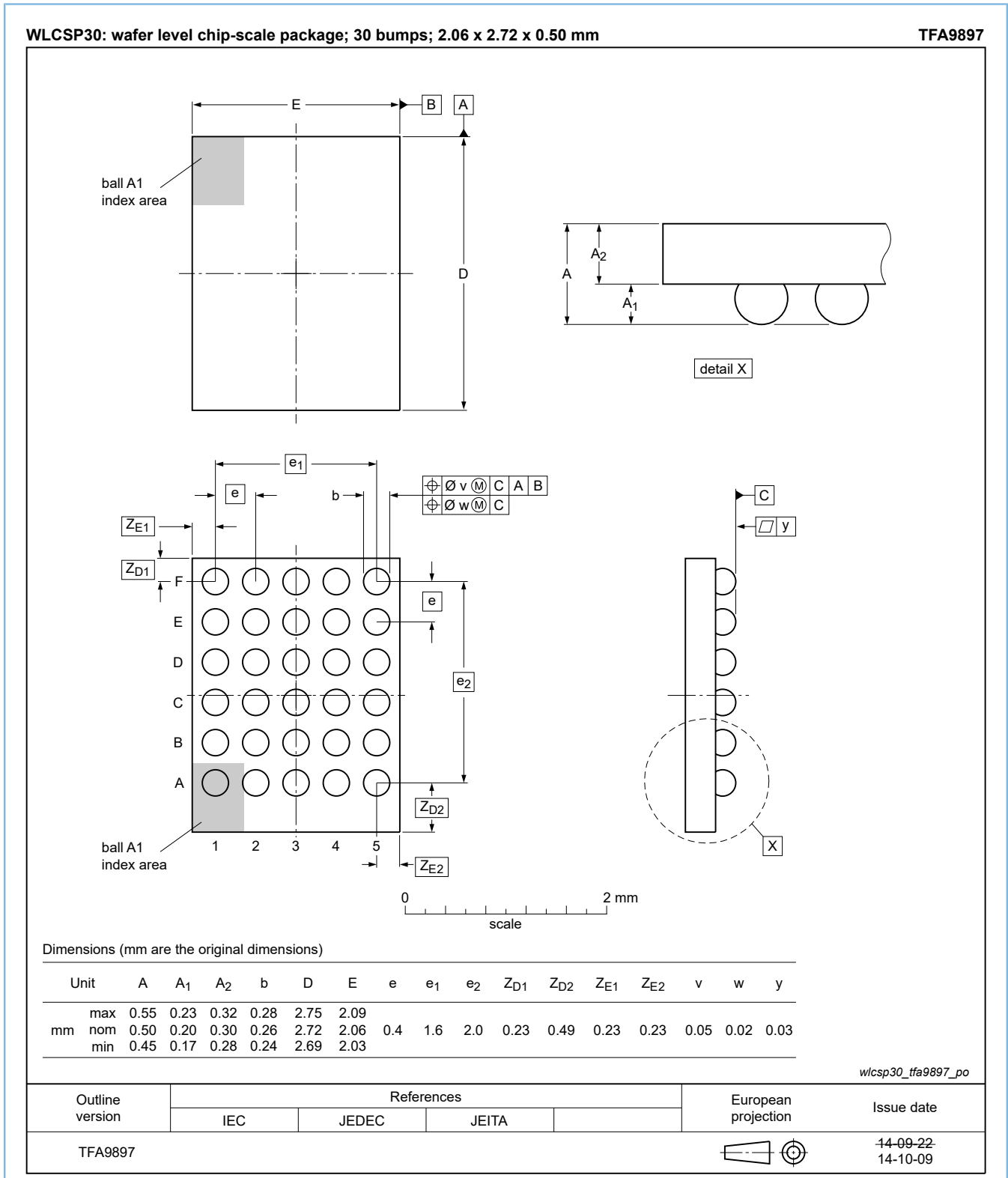


Figure 13-1: Package outline TFA9897 (WLCSP30)

14 Soldering of WLCSP packages

14.1 Introduction to soldering WLCSP packages

This text provides a very brief insight into a complex technology. More information about handling, packing, shipping and soldering of moisture/reflow sensitive surface-mount devices can be found in IPC/JEDEC J-STD-033 and IPC/JEDEC J-STD-020.

Wave soldering is not suitable for this package.

All Goodix WLCSP packages are lead-free.

14.2 Board mounting

Board mounting of a WLCSP requires several steps:

1. Solder paste printing on the PCB
2. Component placement with a pick and place machine
3. The reflow soldering itself

14.3 Reflow soldering

Key characteristics in reflow soldering are:

- Lead-free versus SnPb soldering; note that a lead-free reflow process usually leads to higher minimum peak temperatures (see [Figure 14-1](#)) than a SnPb process, thus reducing the process window
- Solder paste printing issues, such as smearing, release, and adjusting the process window for a mix of large and small components on one board
- Reflow temperature profile; this profile includes preheat, reflow (in which the board is heated to the peak temperature), and cooling down. It is imperative that the peak temperature is high enough for the solder to make reliable solder joints (a solder paste characteristic) while being low enough that the packages and/or boards are not damaged. The peak temperature of the package depends on package thickness and volume and is classified in accordance with [Table 14-1](#).

Table 14-1: Lead-free process (from J-STD-020D)

Package thickness (mm)	Package reflow temperature (°C)		
	Volume (mm ³)		
	< 350	350 to 2 000	> 2 000
< 1.6	260	260	260
1.6 to 2.5	260	250	245
> 2.5	250	245	245

Moisture sensitivity precautions, as indicated on the packing, must be respected at all times.

Studies have shown that small packages reach higher temperatures during reflow soldering, see [Figure 14-1](#).

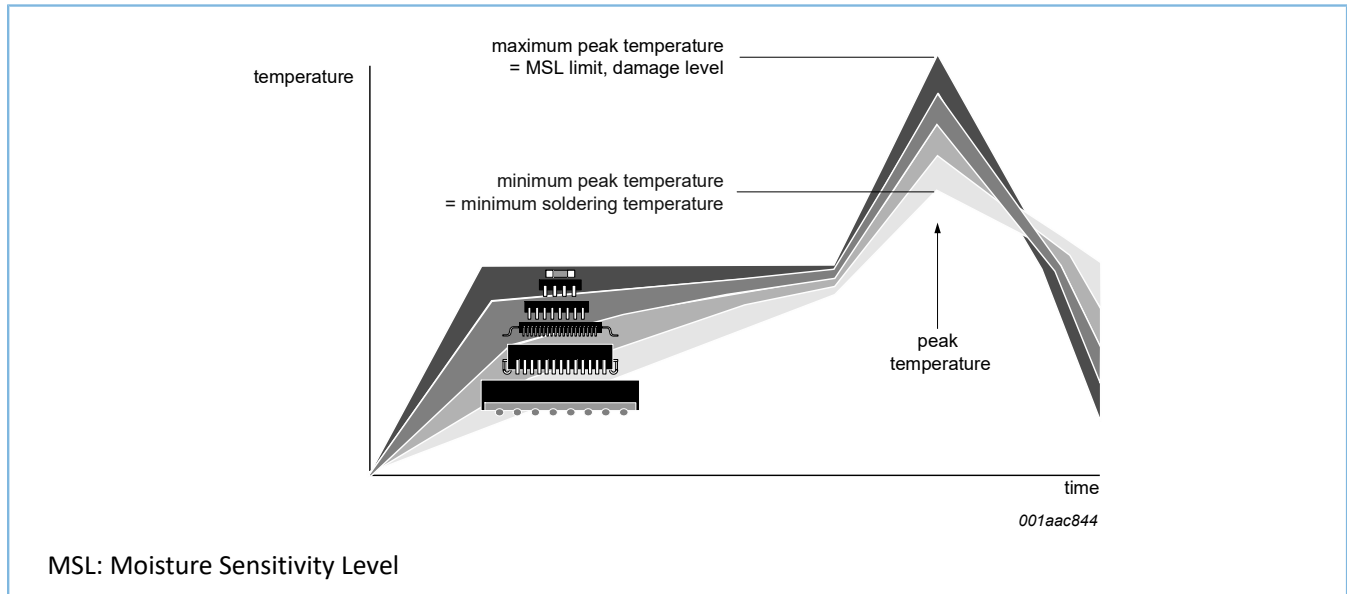


Figure 14-1: Temperature profiles for large and small components

For further information on temperature profiles, refer to IPC/JEDEC J-STD-033 and IPC/JEDEC J-STD-020.

14.3.1 Stand off

The stand off between the substrate and the chip is determined by:

- The amount of printed solder on the substrate
- The size of the solder land on the substrate
- The bump height on the chip

The higher the stand off, the better the stresses are released due to TEC (Thermal Expansion Coefficient) differences between substrate and chip.

14.3.2 Quality of solder joint

A flip-chip joint is considered to be a good joint when the entire solder land has been wetted by the solder from the bump. The surface of the joint should be smooth and the shape symmetrical. The soldered joints on a chip should be uniform. Voids in the bumps after reflow can occur during the reflow process in bumps with high ratio of bump diameter to bump height, i.e. low bumps with large diameter. No failures have been found to be related to these voids. Solder joint inspection after reflow can be done with X-ray to monitor defects such as bridging, open circuits and voids.

14.3.3 Rework

In general, rework is not recommended. By rework we mean the process of removing the chip from the substrate and replacing it with a new chip. If a chip is removed from the substrate, most solder balls of the chip will be damaged. In that case it is recommended not to re-use the chip again.

Device removal can be done when the substrate is heated until it is certain that all solder joints are molten. The chip can then be carefully removed from the substrate without damaging the tracks and solder lands on the substrate. Removing the device must be done using plastic tweezers, because metal tweezers can damage the silicon. The surface of the substrate should be carefully cleaned and all solder and flux residues and/or underfill removed. When a new chip is placed on the substrate, use the flux process instead of solder on the solder lands. Apply flux on the bumps at the chip side as well as on the solder pads on the substrate. Place and align the new chip while viewing with a microscope. To reflow the solder, use the solder profile shown in IPC/JEDEC J-STD-033 and IPC/JEDEC J-STD-020.

14.3.4 Cleaning

Cleaning can be done after reflow soldering.

15 Legal and contact information

Copyright © 2020 Shenzhen Goodix Technology Co., Ltd. All rights reserved.

Any excerption, backup, modification, translation, transmission or commercial use of this document or any portion of this document, in any form or by any means, without the prior written consent of Shenzhen Goodix Technology Co., Ltd is prohibited.

Trademarks and Permissions

GOODiX and other Goodix trademarks are trademarks of Shenzhen Goodix Technology Co., Ltd. All other trademarks and trade names mentioned in this document are the property of their respective holders.

Disclaimer

Information contained in this document is intended for your convenience only and is subject to change without prior notice. It is your responsibility to ensure its application complies with technical specifications.

Shenzhen Goodix Technology Co., Ltd. (hereafter referred to as “Goodix”) makes no representation or guarantee for this information, express or implied, oral or written, statutory or otherwise, including but not limited to representation or guarantee for its application, quality, performance, merchantability or fitness for a particular purpose. Goodix shall assume no responsibility for this information and relevant consequences arising out of the use of such information.

Without written consent of Goodix, it is prohibited to use Goodix products as critical components in any life support system. Under the protection of Goodix intellectual property rights, no license may be transferred implicitly or by any other means.

Shenzhen Goodix Technology Co., Ltd.

Headquarters: Floor 13, Tower B, Tengfei Industrial Building, Futian Free Trade Zone, Shenzhen, China

TEL: +86-755-33338828 FAX: +86-755-33338830

Website: www.goodix.com

16 Revision history

Table 16-1: Revision history

Document ID	Release date	Data sheet status	Change notice	Supersedes
TFA9897_SDS v 3.1	20200420	Product short data sheet	-	TFA9897_SDS v 3.0
Modifications:	<ul style="list-style-type: none"> Added version number to ordering information 			
TFA9897_SDS v 3.0	20200121	Product short data sheet	-	TFA9897_SDS v.2
Modifications:	<ul style="list-style-type: none"> Updated document format based on Goodix template 			
TFA9897_SDS v.2	<td>	Product short data sheet	-	TFA9897_SDS v.1
Modifications:	<ul style="list-style-type: none"> Specification status changed to 'Product short data sheet' Table 4-1: value of parameter $P_{o(RMS)}$ (32 kHz) corrected Section 8.1.2: text of 2nd paragraph revised Table 11-1: measurement conditions revised in table header ($L_L = 44 \mu H$) and for pin SDA parameter V_{OH} Table 11-2: values changed for parameters $t_{d(soft_mute)}$ and t_{PD} Figure 12-1 and Figure 12-2 updated 			
TFA9897_SDS v.1	20141127	Preliminary short data sheet	-	-