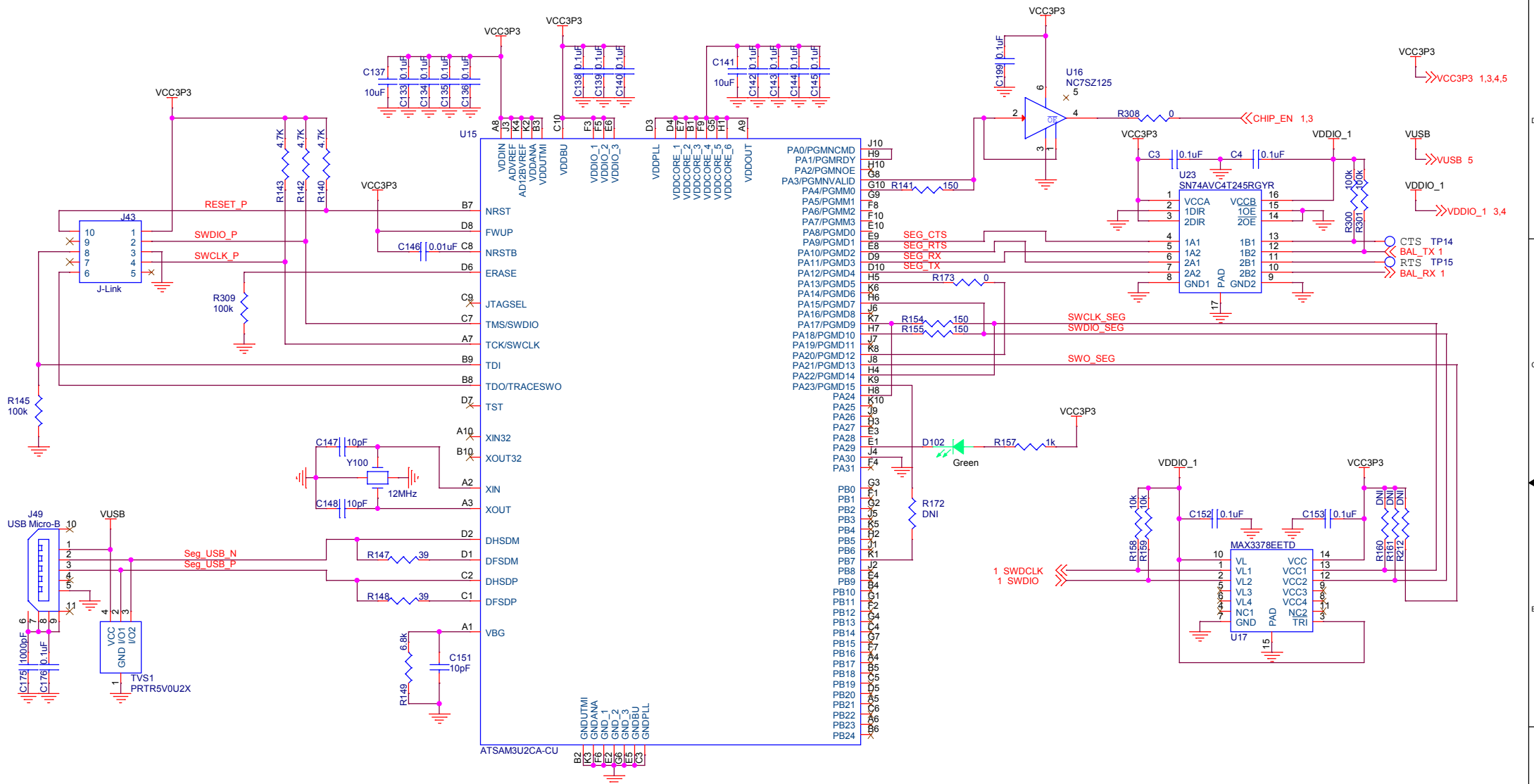
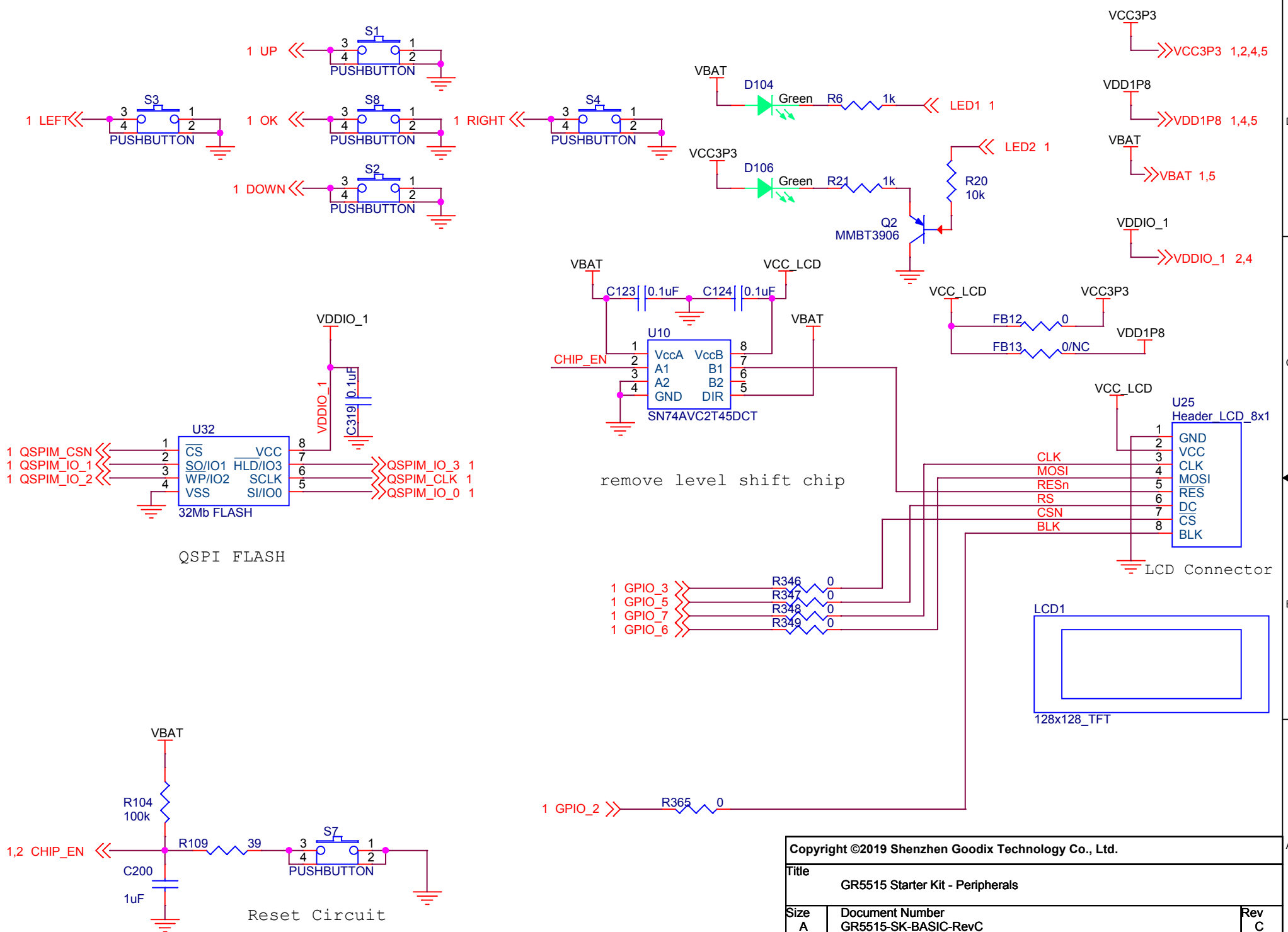


Copyright ©2019 Shenzhen Goodix Technology Co., Ltd.			
Title GR5515 Starter Kit -GR5515			
Size B	Document Number GR5515-SK-BASIC-RevC		Rev C
Date:	Monday, October 21, 2019	Sheet	1 of 5

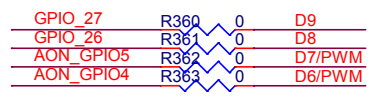
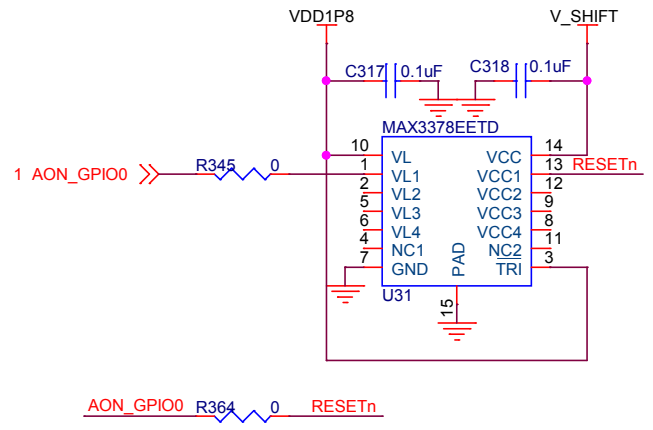
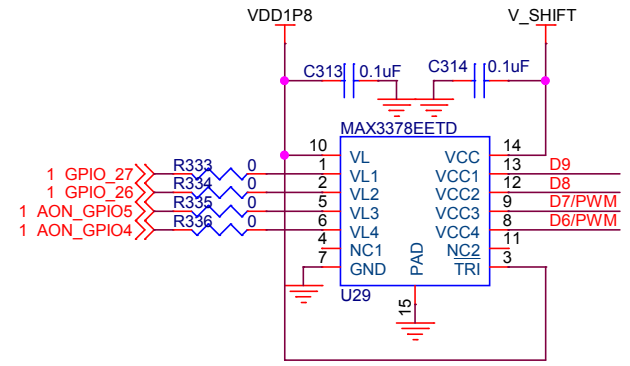
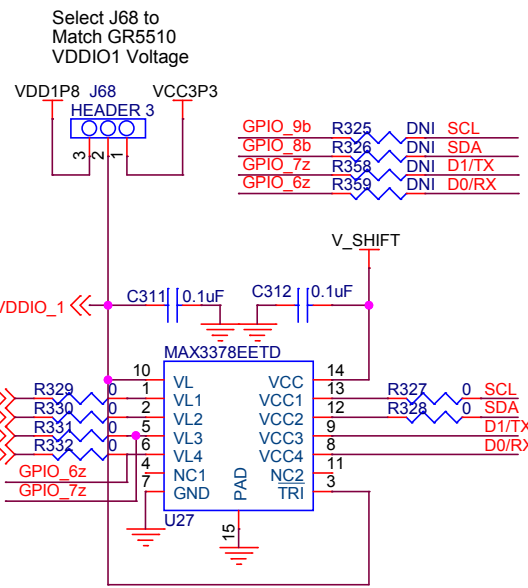
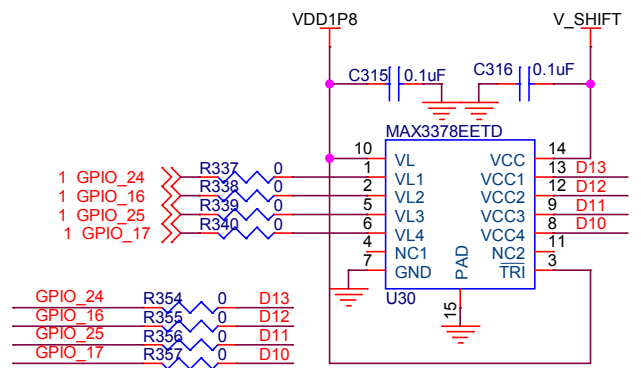
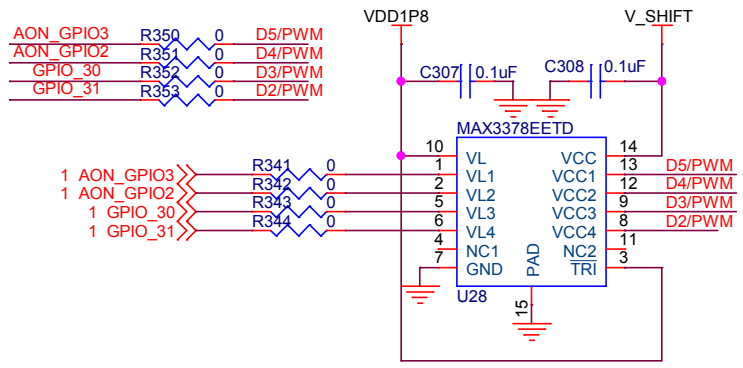
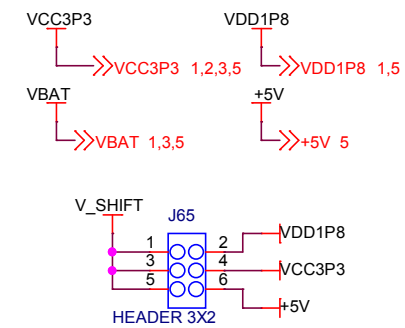
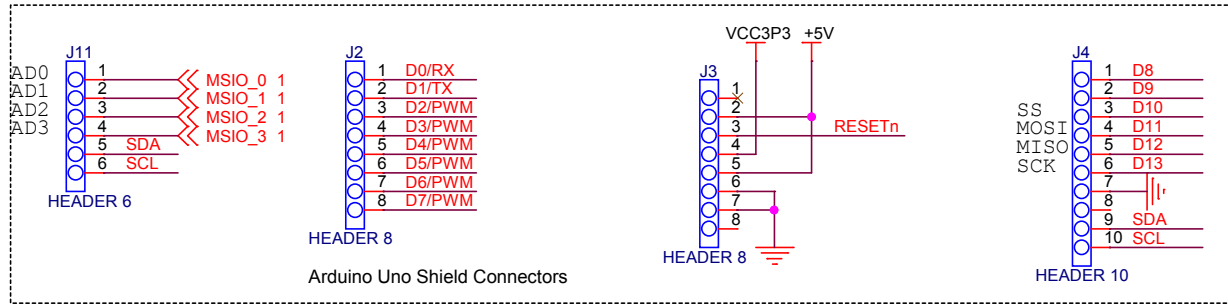


J-LINK OB
www.segger.com

Copyright ©2019 Shenzhen Goodix Technology Co., Ltd.		
Title GR5515 Starter Kit - J-Link		
Size B	Document Number GR5515-SK-BASIC-RevC	Rev C
Date:	Monday, October 21, 2019	Sheet 2 of 5

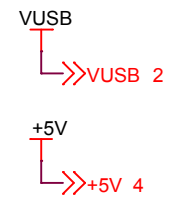
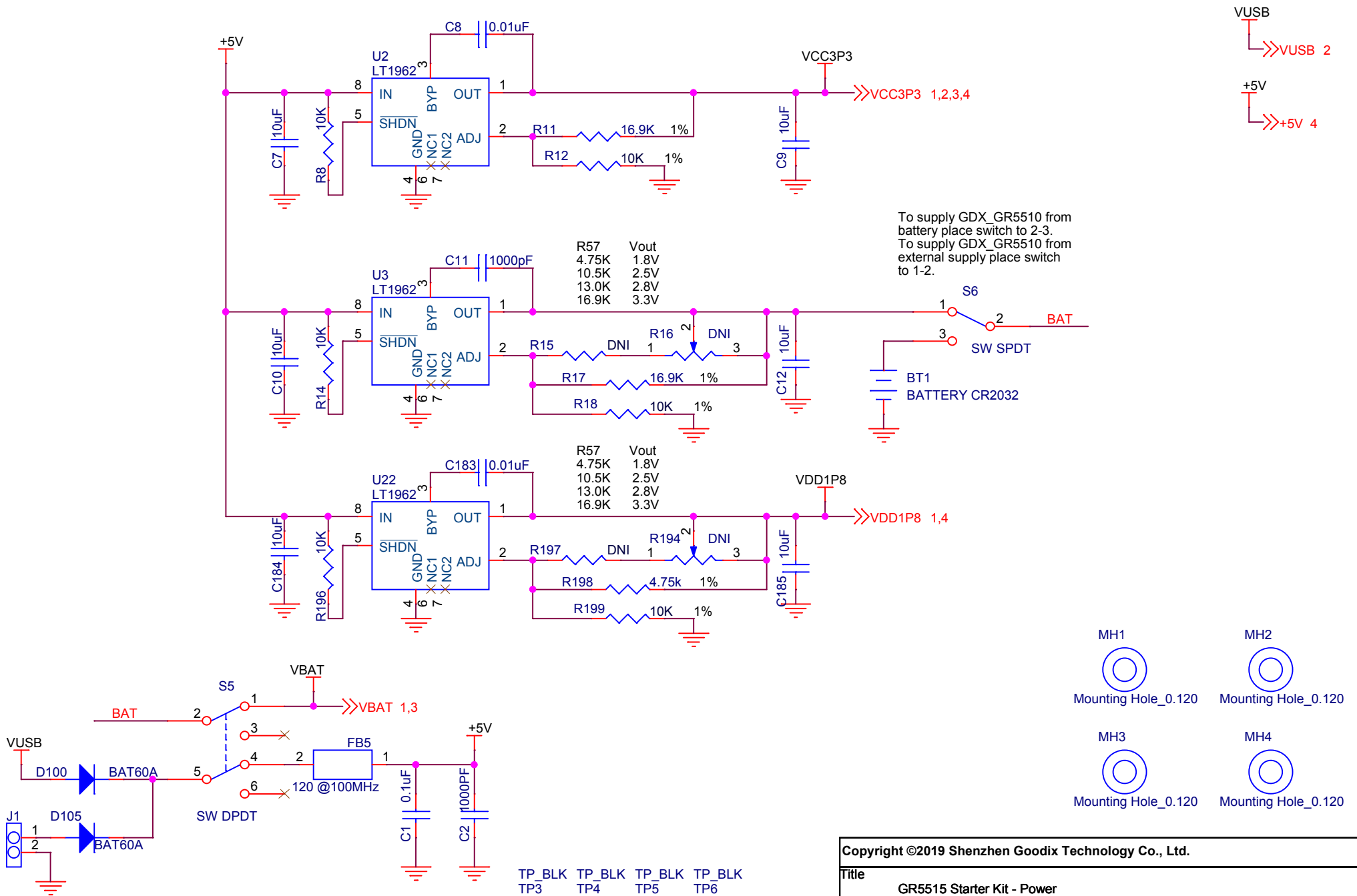


Copyright ©2019 Shenzhen Goodix Technology Co., Ltd.		
Title GR5515 Starter Kit - Peripherals		
Size A	Document Number GR5515-SK-BASIC-RevC	Rev C
Date:	Monday, October 21, 2019	Sheet 3 of 5

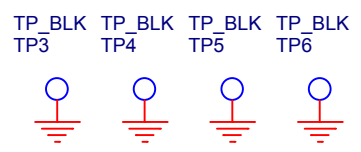
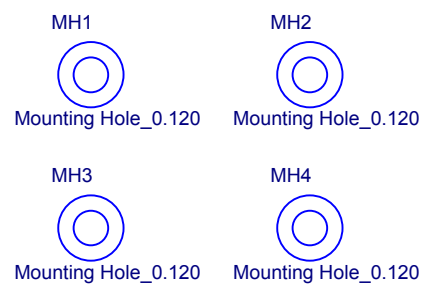


Copyright ©2019 Shenzhen Goodix Technology Co., Ltd.

Title		
GR5515 Starter Kit - Shield Connectors		
Size	Document Number	Rev
A	GR5515-SK-BASIC-RevC	C
Date:	Monday, October 21, 2019	Sheet 4 of 5



To supply GD_X_GR5510 from battery place switch to 2-3.
 To supply GD_X_GR5510 from external supply place switch to 1-2.



Copyright ©2019 Shenzhen Goodix Technology Co., Ltd.		
Title GR5515 Starter Kit - Power		
Size A	Document Number GR5515-SK-BASIC-RevC	Rev C
Date:	Monday, October 21, 2019	Sheet 5 of 5